



GEMU090



Interior

Chewable ice in a convenient under counter machine

- Exclusive Pure Ice® technology ensures fresh, odor-free ice every time.
- Features soft, chewable Pearl Ice®.
- Great for suites, break rooms, offices and cafés.

Features

- Up to 85 lbs (39 kg) production and 22 lbs (10 kg) storage capacity.
- Quiet operation.
- Optional drain pump available.
- Simple 115-volt plug-in design.

Options & Accessories

WATER FILTERS			
Ice Machine Model	Manifold		Inline
	System	Replacement	System
GEMU090	N/A	N/A	IF14C/IF18C

ACCESSORIES			
Model	Description	Shipping Weight lbs (kg)	Size in. (mm)
KPU090	Pump Kit	7 (3.2)	10 x 12 x 9 in. (254 x 305 x 229 mm)
101148-59	Scale Remover	20 (9) per case of 12	12 individual 16 oz (473 ml) bottles

Ice Maker Warranty

Every Ice-O-Matic ice maker is backed by a warranty that provides both parts and labor coverage.

- Two years **Parts and Labor.**

Ice Form



PEARL ICE

PEARL ICE DIMENSIONS

H x Dia. (in.)	1/2 x 3/8
H x Dia. (mm)	12.7 x 9.5

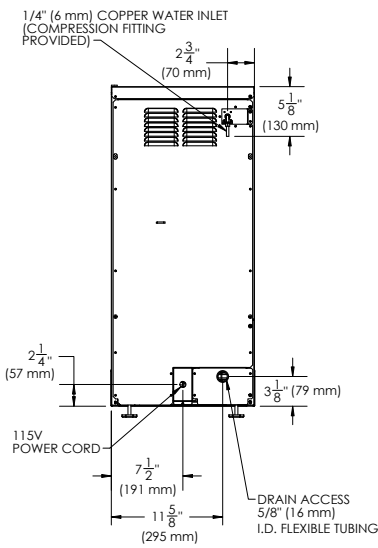
24 Hour Ice Production

Based on Air/Water Temperatures	Air-Cooled 24 Hour Production - lbs (kg)
70°F (21°C)/50°F (10°C)	85 (39)
90°F (32°C)/70°F (21°C)	60 (27)

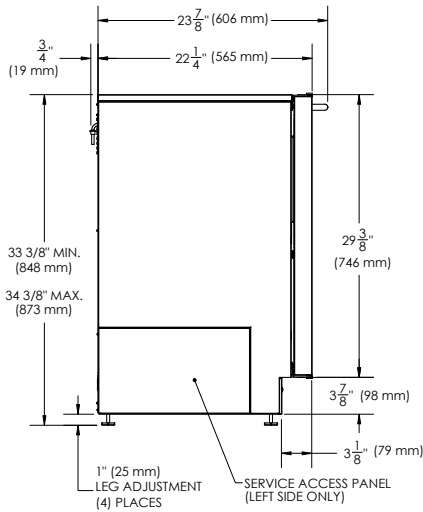




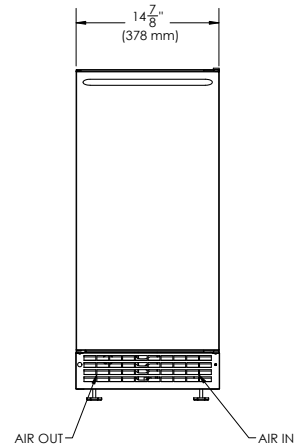
GEMU090 PEARL ICE® MAKER



REAR VIEW



LEFT VIEW



FRONT VIEW

Operating Requirements

	MINIMUM	MAXIMUM
	60 Hz	
Ambient Temp. Range Air	50°F (10°C)	100°F (38°C)
Water Temp.	40°F (4.4°C)	90°F (32°C)
Water Pressure	20 PSIG (1.4 BAR)	80 PSIG (5 BAR)
Electrical Voltage	-10%	+10%

Dimensions

ALL MODELS (without legs adjusted)	
W x D x H (in.)	14.875 x 23.625 x 33.375 min
W x D x H (mm)	378 x 578 x 847

Specifications

Model Number	Cond. Unit	Ice Production per 24 hrs		Water Usage gallons per 100 lbs (45 kg) of ice 90°F (32°C) air/ 70°F (21°C) water	Potable	kWH Used per 100 lbs (45 kg) of ice 90°F (32°C) air/ 70°F (21°C) water	Voltage Characteristics	Min. Circuit Ampacity	Fuse Size	Amps
		70°F (21°C) air/ 50°F (10°C) water lbs (kg)	90°F (32°C) air/ 70°F (21°C) water lbs (kg)							
GEMU090	Air	85 (39)	60 (27)	12		10.7	115/60/1	5	15	5

NOTES:

- 3-prong power cord attached
- Approx. shipping weight for single unit = 133 lbs (60.5 kg). Listed weight does not include pallet.
- Shipping to distributor in pallets of 5 only.
- Total pallet shipping weight = 720 lbs (327.3 kg)