



Kelvinator
 250 Bobby Jones Expressway | Augusta, GA 30907
 Customer Service: (706) 651-1751 | (866) 738-1640
 Parts Department: (800) 599-7569
 www.kelvinator.com

MODELS

COMMERCIAL REFRIGERATOR
 BOTTOM MOUNT REACH-IN



KRS221LHY (gray cabinet)
KRS221LGW (white cabinet)
 21.8 Cu. Ft. Gross Capacity
 Left-hand door swing only.

KRS220RHY (gray cabinet)
KRS220RGW (white cabinet)
 21.8 Cu. Ft. Gross Capacity
 Right-hand door swing only.

KRS220RGW/HY
KRS221LGW/HY

INTERIOR | EXTERIOR
KEY FEATURES

- NSF-certified for food service applications.
- Stainless steel door with lock, white or gray cabinet.
- Stainless steel handle.
- Heavy-duty, locking casters.
- Heavy-duty cooling system, meets NSF / ANSI 7 standards.
- Dynamic condenser improves performance in higher temperature environments.
- 3 heavy-duty steel shelves.
- Stainless steel evaporator cover.
- NSF-certified temperature gauge.
- Interior lighting system.
- Commercial ENERGY STAR® qualified.
- Left and right hand door swing available.

Manufactured by
 Electrolux Home Products

WARRANTY

Kelvinator Commercial products are covered by a one year limited warranty. Refer to the Use and Care manual for details.

Item #:

Project:

Location:

Date: Quantity:



USA
 Electrolux Major Appliances, North America
 250 Bobby Jones Expressway, Augusta, GA 30907
 1-866-738-1640 | www.kelvinator.com

CANADA
 Electrolux Canada Corporation
 5855 Terry Fox Way, Mississauga, ON L5V 3E4
 1-866-738-1640



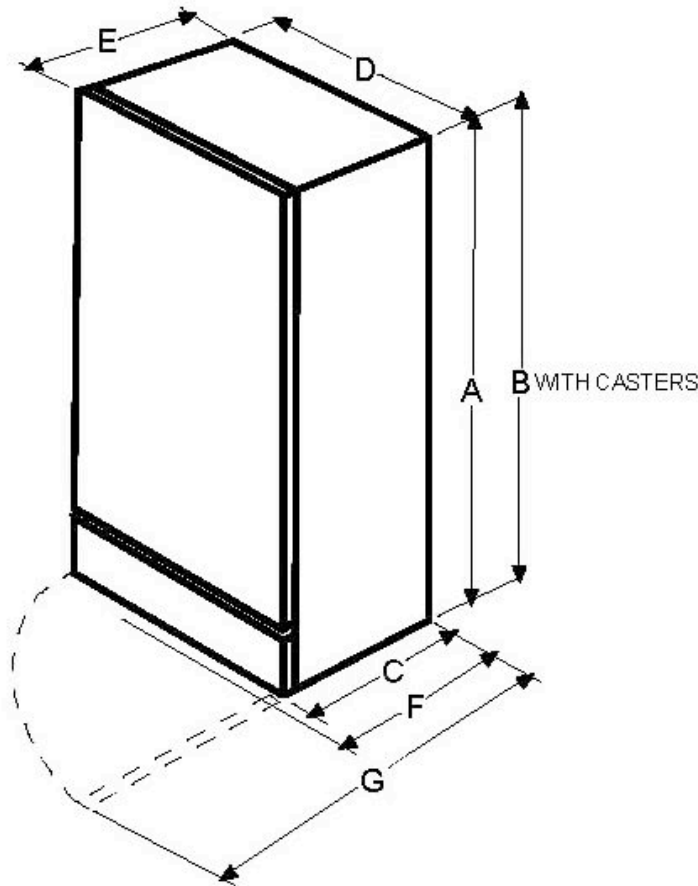
Kelvinator
 250 Bobby Jones Expressway | Augusta, GA 30907
 Customer Service: (706) 651-1751 | (866) 738-1640
 Parts Department: (800) 599-7569
 www.kelvinator.com

MODELS

**COMMERCIAL REFRIGERATOR
 BOTTOM MOUNT REACH-IN**

**KRS220RGW/HY
 KRS221LGW/HY**

DIMENSIONS



SPECIFICATIONS

MODEL	KRS220RGW/HY	KRS221LGW/HY
CAPACITY	21.8 CF	21.8 CF
HEIGHT (A)	70-5/8"	70-5/8"
HEIGHT (B) W/ CASTERS	75-1/8"	75-1/8"
DEPTH (C)	27-1/8"	27-1/8"
WIDTH (D)	32"	32"
DEPTH W/DOOR (E)	29-1/2"	29-1/2"
DEPTH W/HANDLE (F)	31-3/4"	31-3/4"
DEPTH OPEN 90° (G)	60"	60"
SHIPPING WEIGHT	268 LBS	268 LBS
UPC (0-12505-)	GW - 22519-2 HY - 22668-7	GW - 22520-8 HY - 22669-4



ACCESSORIES

Description	Top Shelf	Center Shelf	Trivet	Shelf Support Clips	18" x 26" Pan Rack Kit
Accessory Part #	216386201	216384001	216331801	216605300 (4 Required)	PANRACKKIT Holds 8 sheet pans (not included)

Manufactured by Electrolux Home Products

WARRANTY



USA
 Electrolux Major Appliances, North America
 250 Bobby Jones Expressway, Augusta, GA 30907
 1-866-738-1640 | www.kelvinator.com

CANADA
 Electrolux Canada Corporation
 5855 Terry Fox Way, Mississauga, ON L5V 3E4
 1-866-738-1640

Kelvinator Commercial products are covered by a one year limited warranty. Refer to the Use and Care manual for details.